

F

E

D

C

B

A

4

3

2

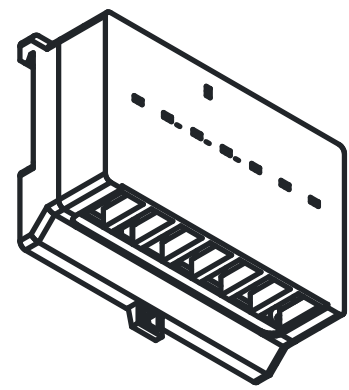
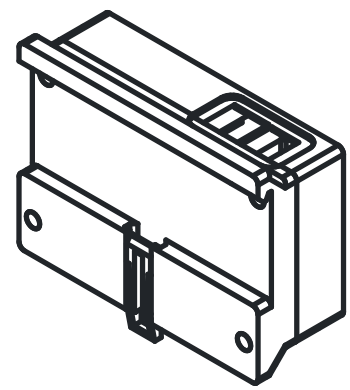
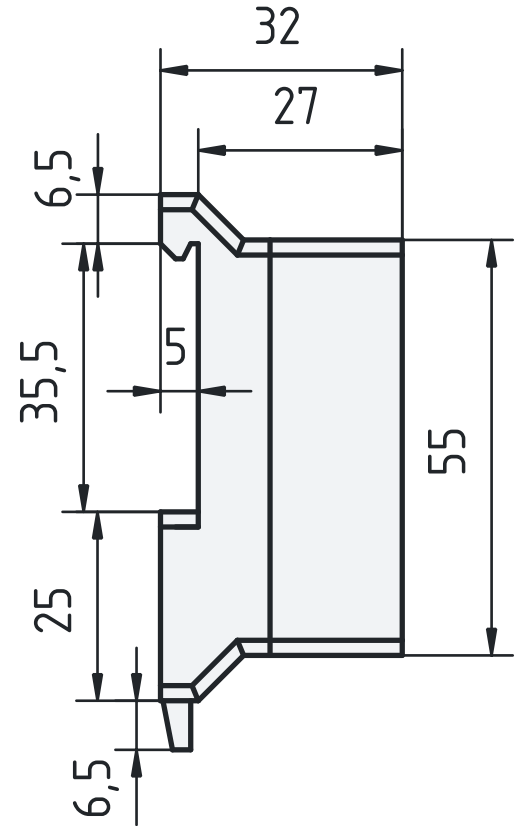
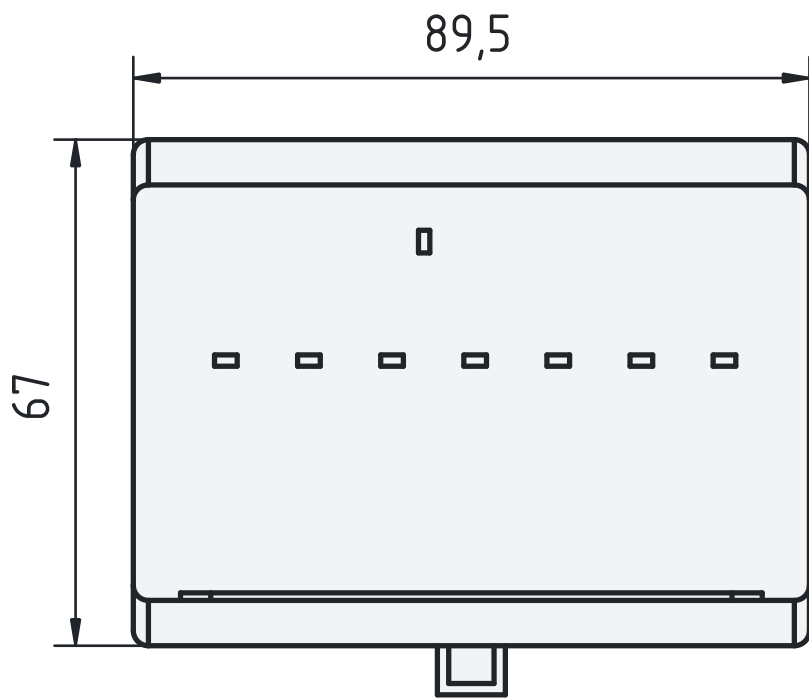
1


4

3

2

1



DESIGNED BY: Jens Wagner		DIN Rail Case for MCS-92		G	—
DATE: 02.11.25		7 Port USB 2.0 HUB, Flat Version		F	—
SIZE	A4			E	—
SCALE				1 : 1	D
WEIGHT (kg)	Weight	DRAWING NUMBER	Drawing number	C	—
		SHEET		B	—
		1 / 1		A	—
This drawing is our property; it can't be reproduced or communicated without our written consent.					

F

E

D